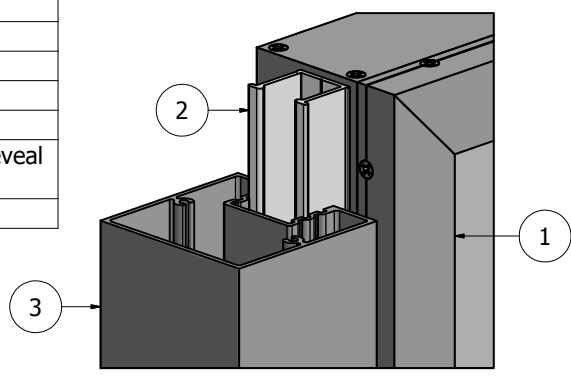
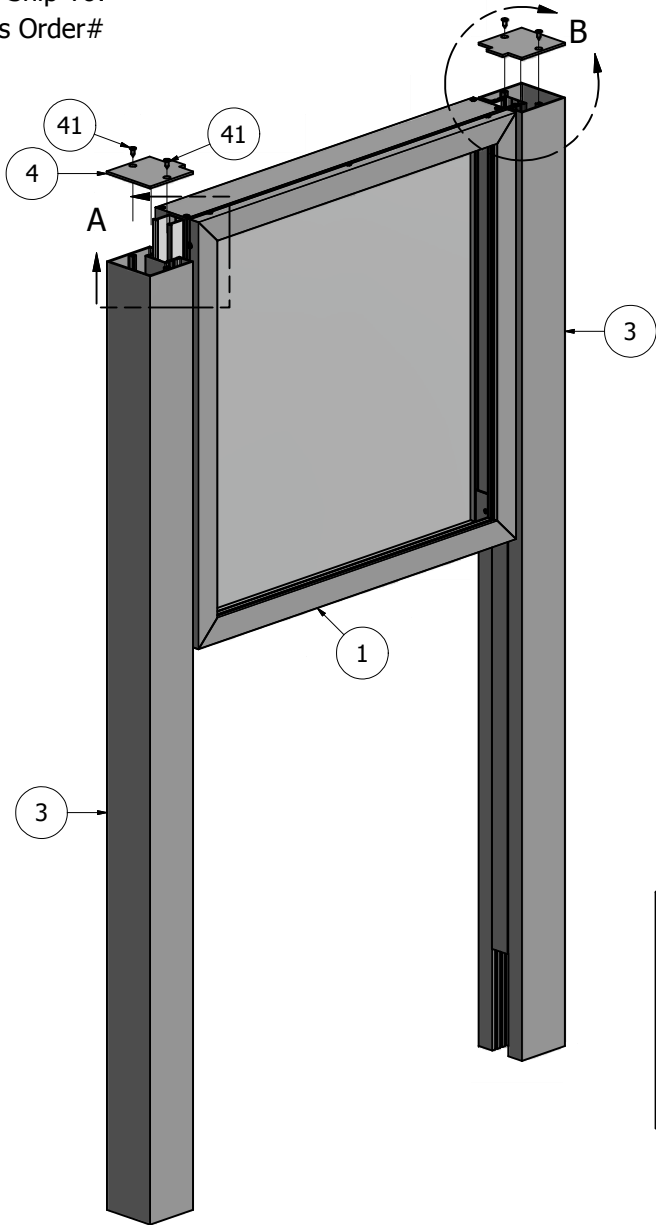
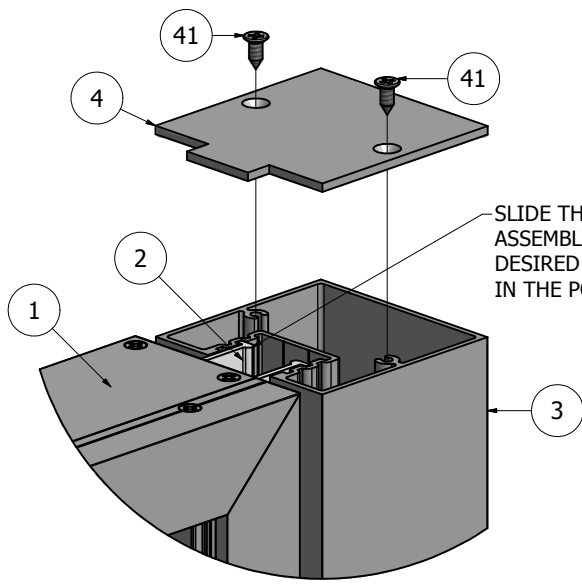
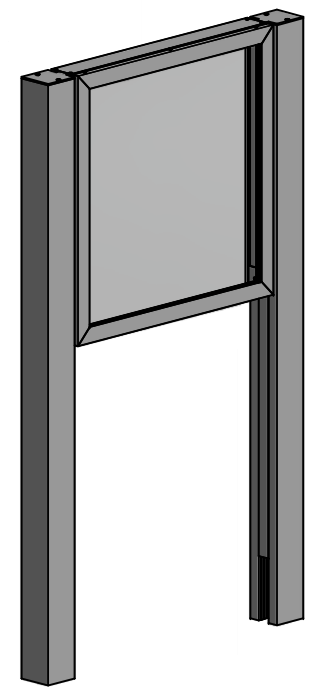


PARTS LIST			
ITEM	PART#	DESCRIPTION	NOTES
1	K1291/94	Series 3 Single Face Access Body w/ Slide Cover	Assembly
2	1200	Series 2/3 Reveal	Attaches to Body
3	K1233	Series 3 Square Post	Assembly
4	Post Cap	Series 3 Square Post Cap	Zero Reveal #5405, 3/8" Reveal #5406, 3/4" Reveal #5407
41	5040	Cap Screw	#10 Countersink

Ship To:  
Sales Order#



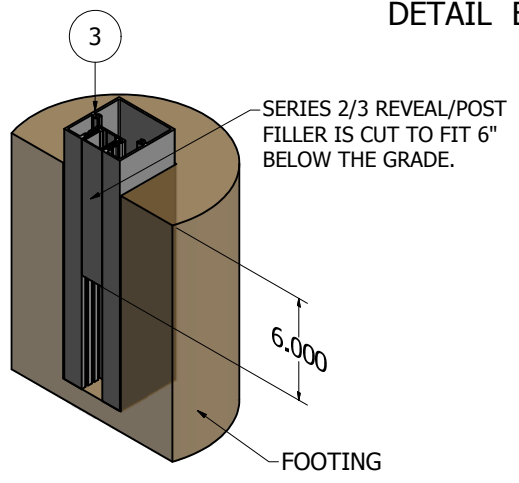
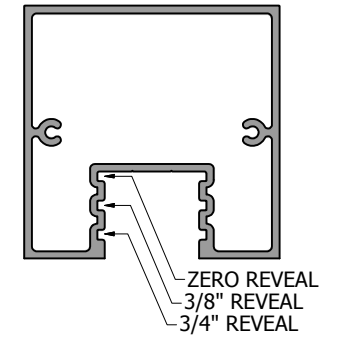
DETAIL A



DETAIL B

SLIDE THE BODY/CABINET ASSEMBLY INTO THE DESIRED REVEAL POSITION IN THE POST.

REVEAL SETTING OPTIONS

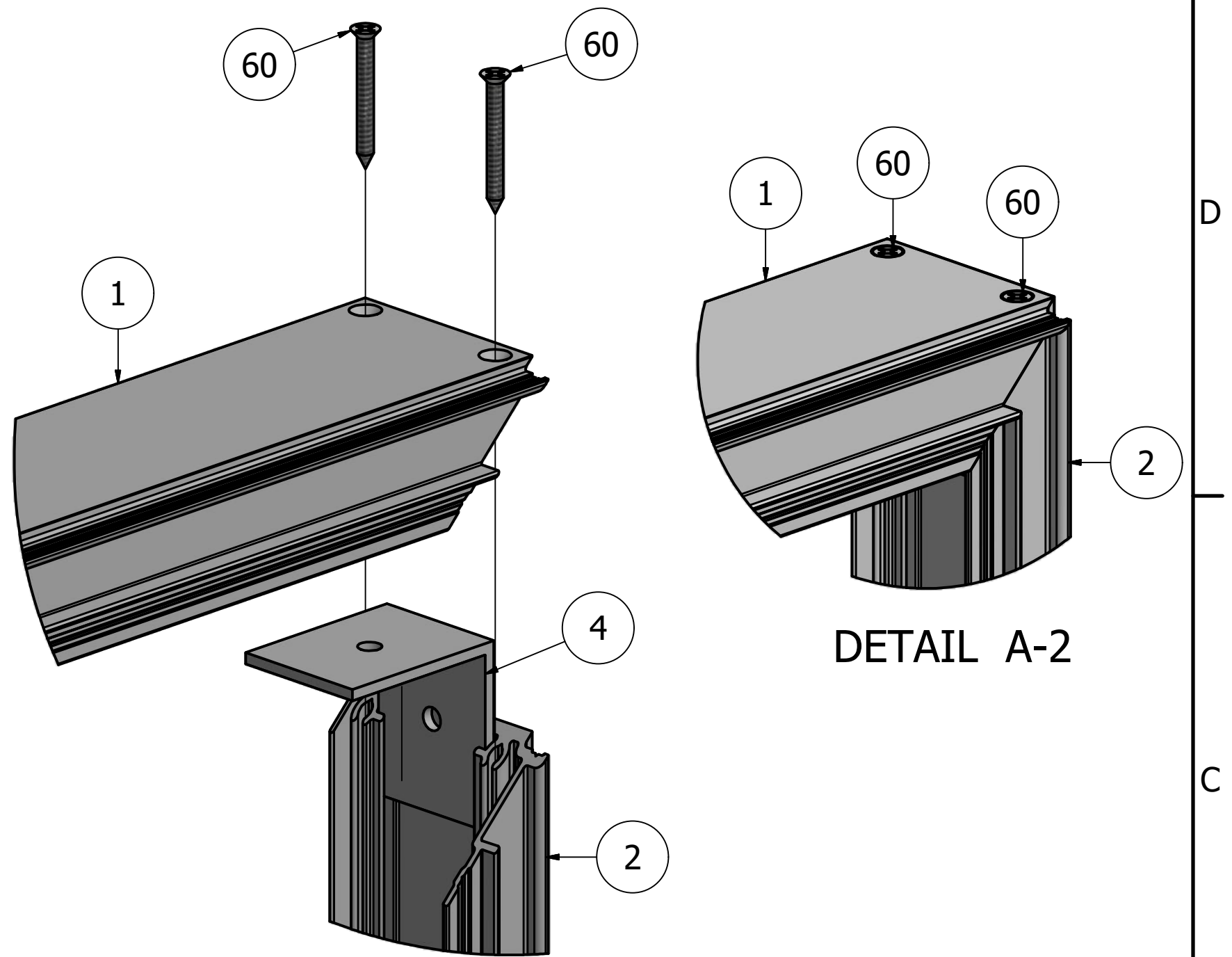
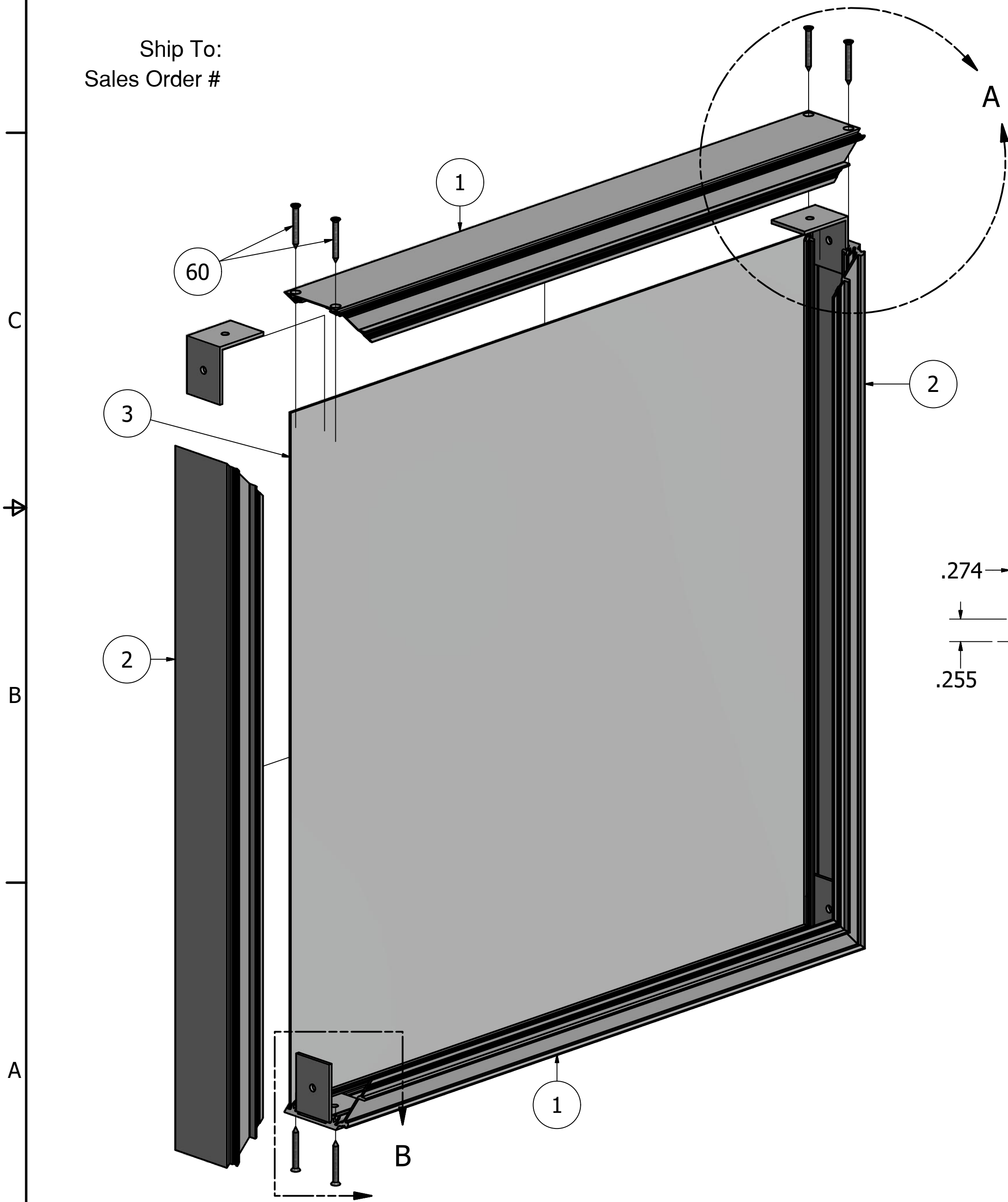


**NOTE: PRE-CUT KITS ARE NOT PRE-DRILLED.**  
(Holes shown in this drawing are for reference only. Drilling of pilot holes are to be done by fabricator.)

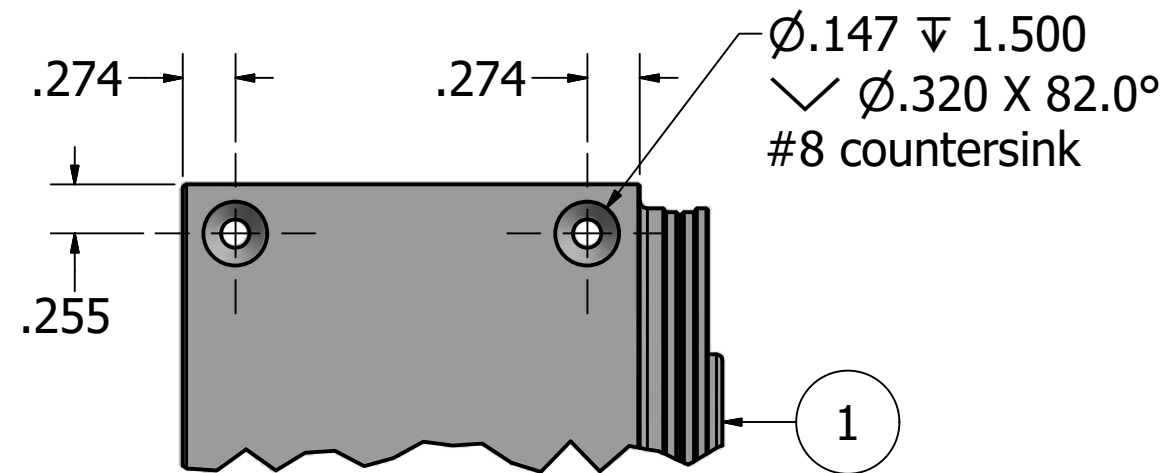
THIS DRAWING WAS CREATED AT NO CHARGE TO ASSIST YOU IN VISUALIZING OUR PROPOSAL. THE DRAWING HEREIN IS THE PROPERTY OF SIGNCOMP. PERMISSION TO COPY OR REVISE THIS DRAWING OR TO USE THIS DRAWING FOR PRODUCTION IS STRICTLY PROHIBITED AND CAN ONLY BE COPIED, REVISED OR USED FOR PRODUCTION WITH THE EXPRESSED WRITTEN PERMISSION OF SIGNCOMP.		
DRAWN	SBreihof	9/20/2012
Centroid X:	0.000 in	
Centroid Y:	0.000 in	
Principal Moments Ix:	0.000 in <sup>4</sup>	
Principal Moments Iy:	0.000 in <sup>4</sup>	
Section Modulus Ix:	0.000 in <sup>3</sup>	
Section Modulus Iy:	0.000 in <sup>3</sup>	
<p style="text-align: center;"><b>SignComp</b></p>		TITLE
		Series 3 - Single Face Access Body w/ Slide Cover - Series 3 Square Posts - Assembly
DWG NO		REV
<b>K1291/94/33</b>		
SHEET 1 OF 1		

PARTS LIST			
ITEM	PART#	DESCRIPTION	NOTES
1	1291	Series 3 Single Face Access Body	Top & Bottom
2	1291	Series 3 Single Face Access Body	Sides
3	Back Panel	.063 Aluminum Back Panel	By Other
4	5338	Series 3 Single Face Access Body Corner Angle	One (1) per body corner
60	5270	Access body Corner Screw	See hole detail

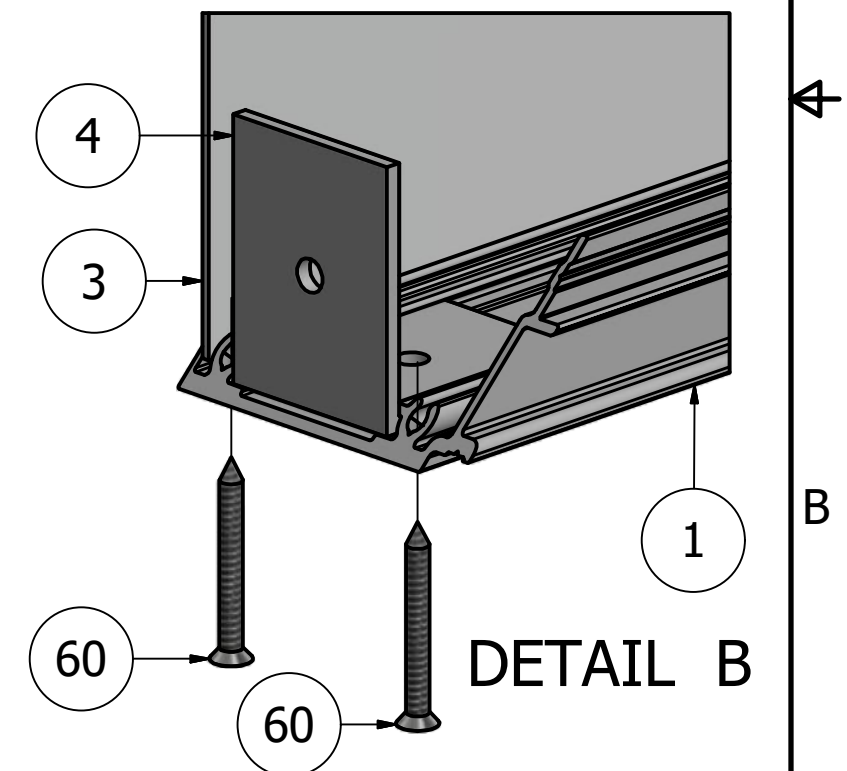
Ship To:  
Sales Order #



DETAIL A-1



HOLE DETAIL  
DRILLED BY OTHER



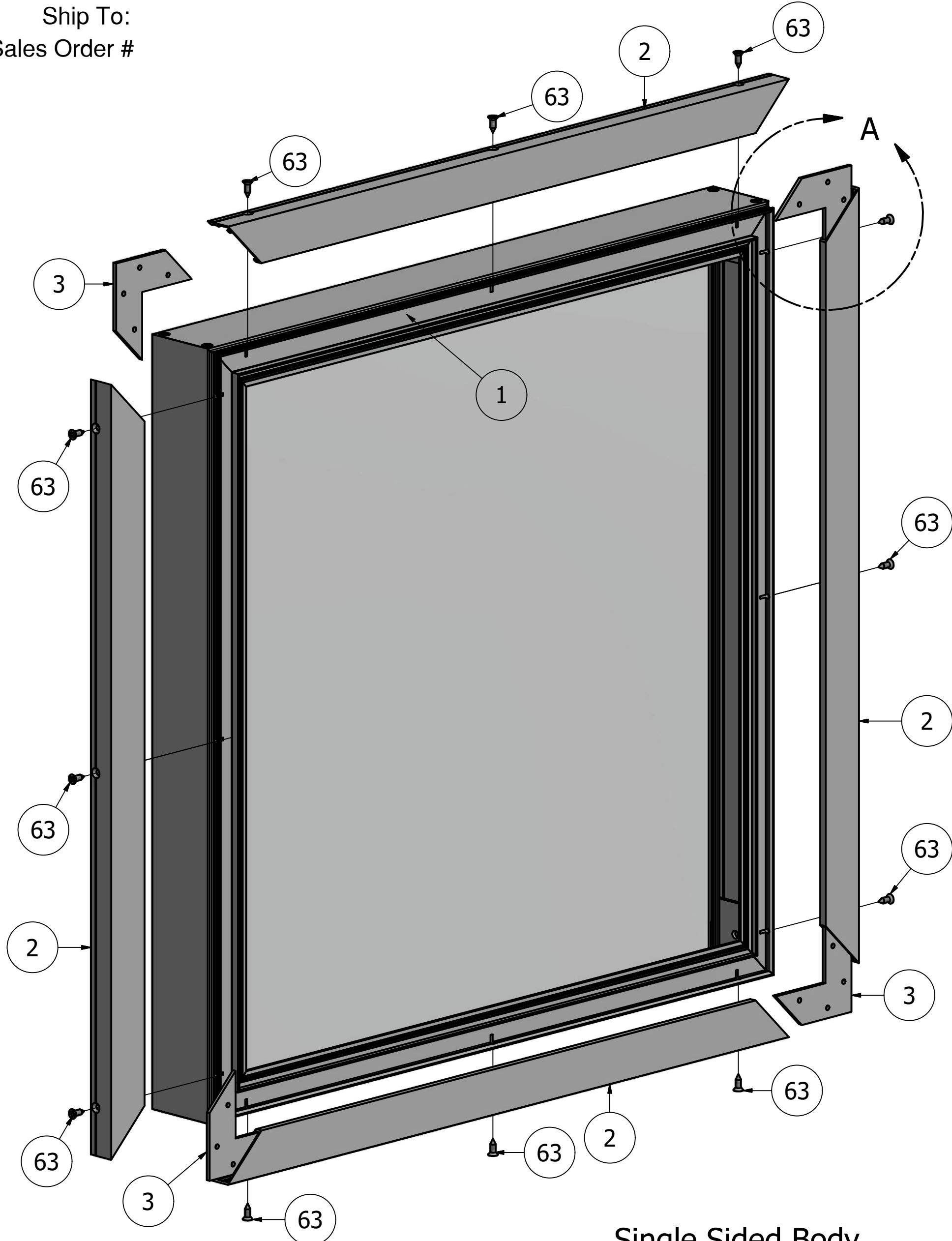
DETAIL B

**NOTE: PRE-CUT KITS ARE NOT PRE-DRILLED.**  
(Holes shown in this drawing are for reference only.  
Drilling of pilot holes are to be done by fabricator.)

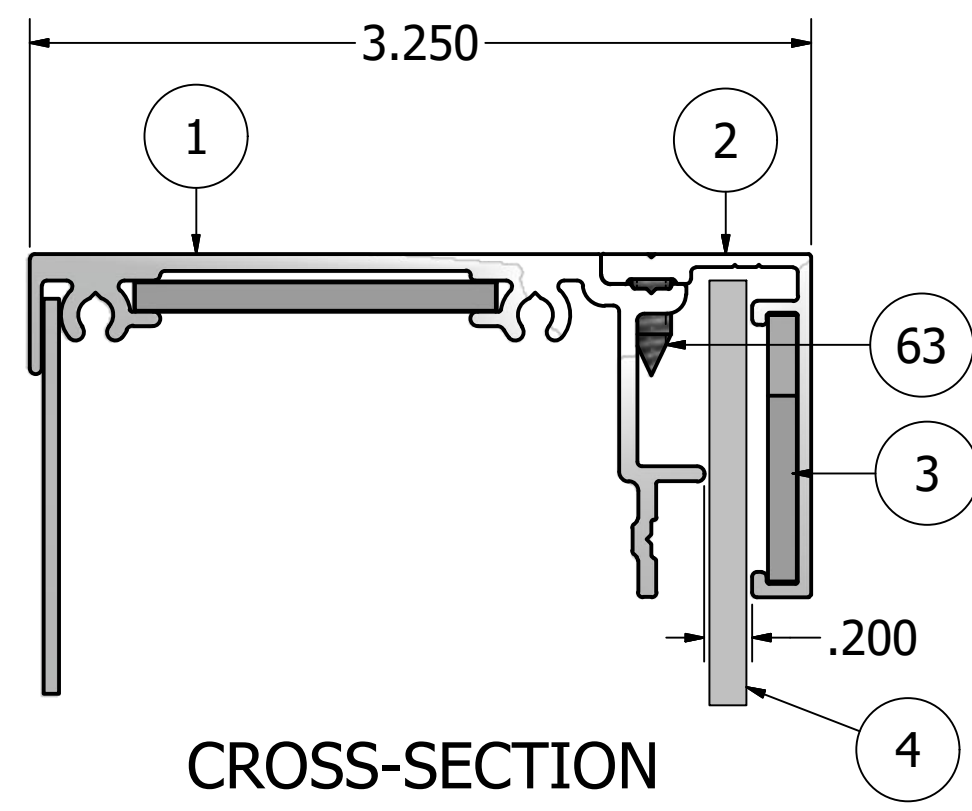
THIS DRAWING WAS CREATED AT NO CHARGE TO ASSIST YOU IN VISUALIZING OUR PROPOSAL. THE DRAWING HEREIN IS THE PROPERTY OF SIGNCOMP. PERMISSION TO COPY OR REVISE THIS DRAWING OR TO USE THIS DRAWING FOR PRODUCTION IS STRICTLY PROHIBITED AND CAN ONLY BE COPIED, REVISED OR USED FOR PRODUCTION WITH THE EXPRESSED WRITTEN PERMISSION OF SIGNCOMP.			<b>SignComp</b>	
DRAWN	SBreihof	9/6/2012		
	Centroid X:	0.000 in	Series 3 - Single Face Access Body - Assembly	
	Centroid Y:	0.000 in		
	Principal Moments Ix:	0.000 in <sup>4</sup>	DWG NO	REV
	Principal Moments Iy:	0.000 in <sup>4</sup>	<b>K1291</b>	
	Section Modulus Ix:	0.000 in <sup>3</sup>	SHEET 1 OF 1	
	Section Modulus Iy:	0.000 in <sup>3</sup>		

PARTS LIST			
ITEM	PART#	DESCRIPTION	NOTES
1	1291	Series 3 Single Face Access Body	Assembly
2	1694	Slide Cover	
3	5210	Corner Key	
4		Face Material	By Other
63	5168	Slide Cover Screw	Drill #8 Countersink

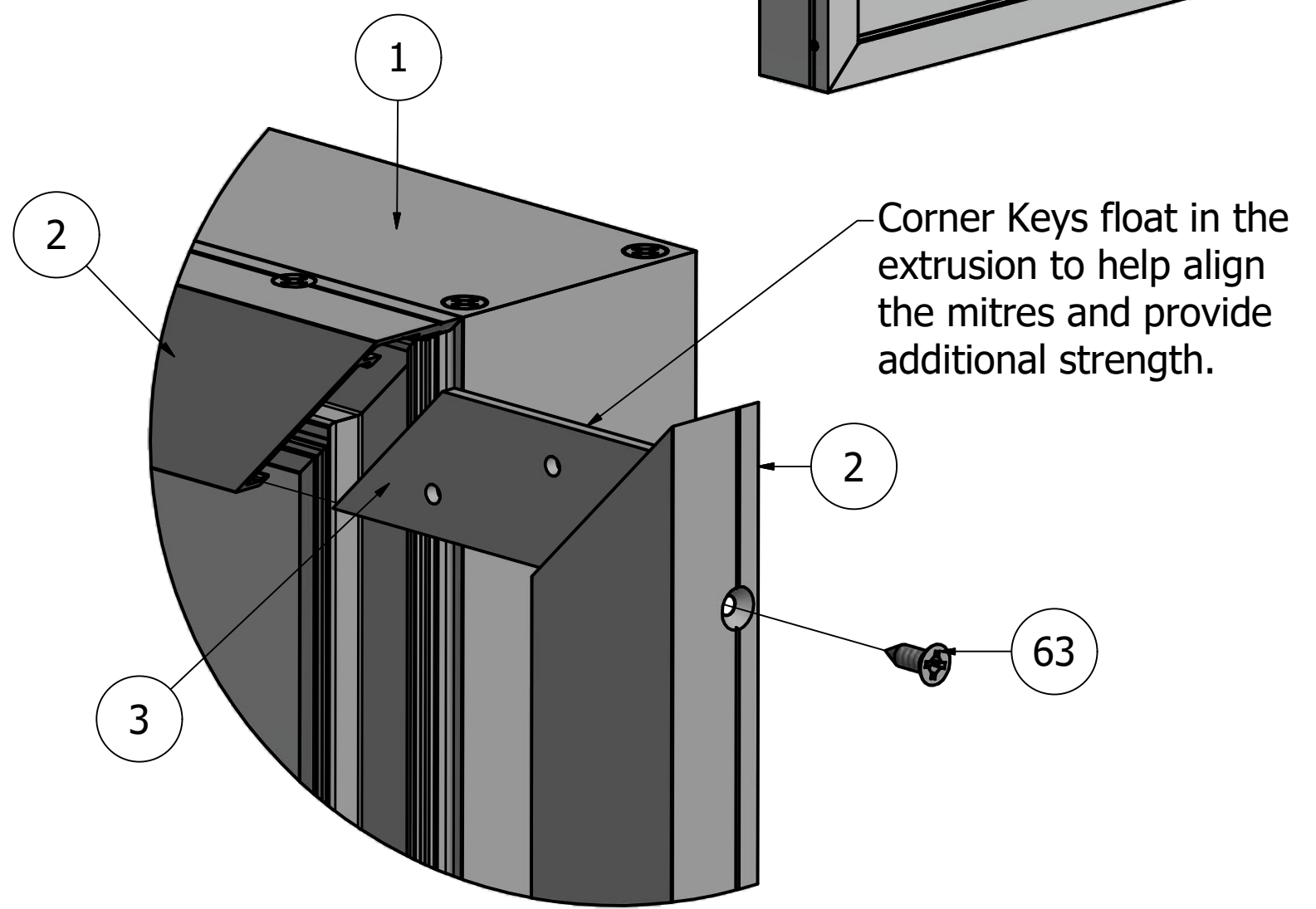
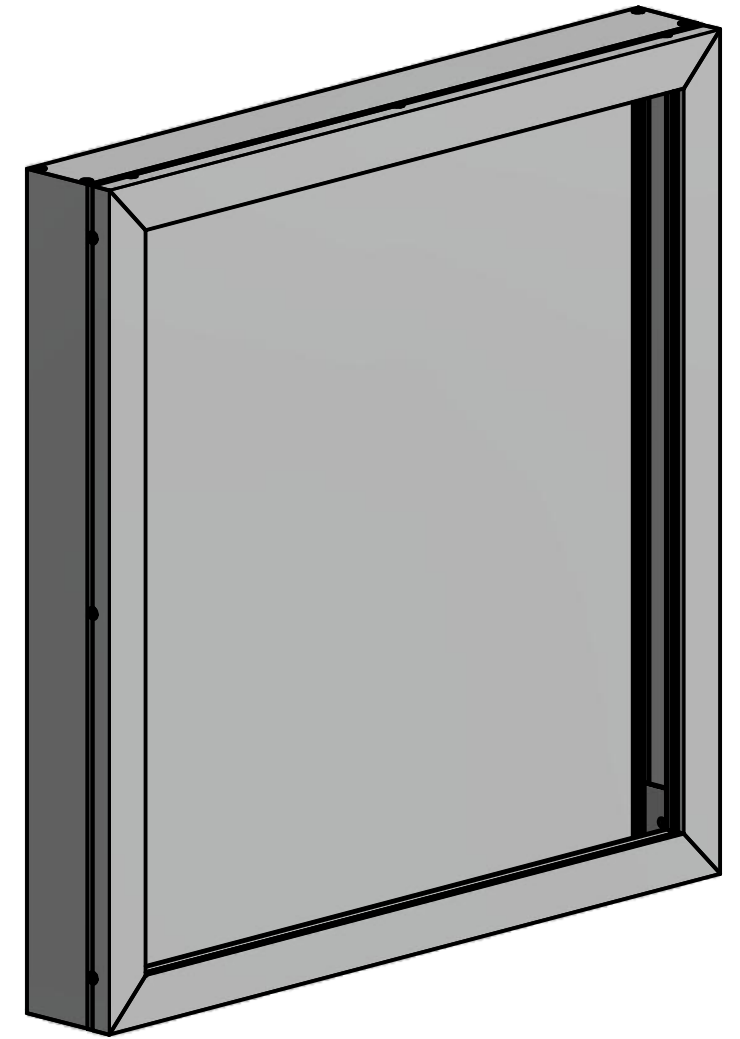
Ship To:  
Sales Order #



Single Sided Body



CROSS-SECTION



Corner Keys float in the extrusion to help align the mitres and provide additional strength.

DETAIL A

**NOTE: PRE-CUT KITS ARE NOT PRE-DRILLED.**  
(Holes shown in this drawing are for reference only.  
Drilling of pilot holes are to be done by fabricator.)

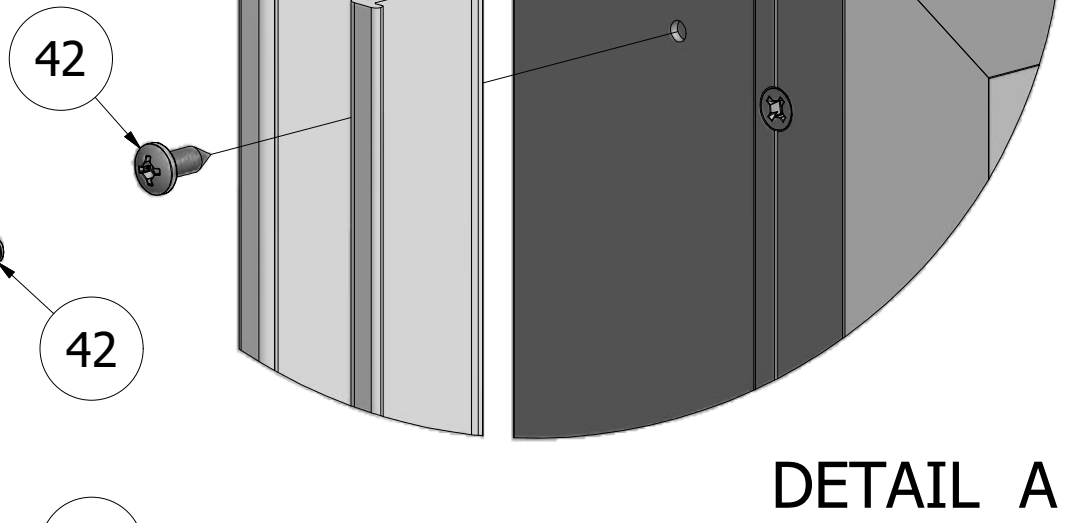
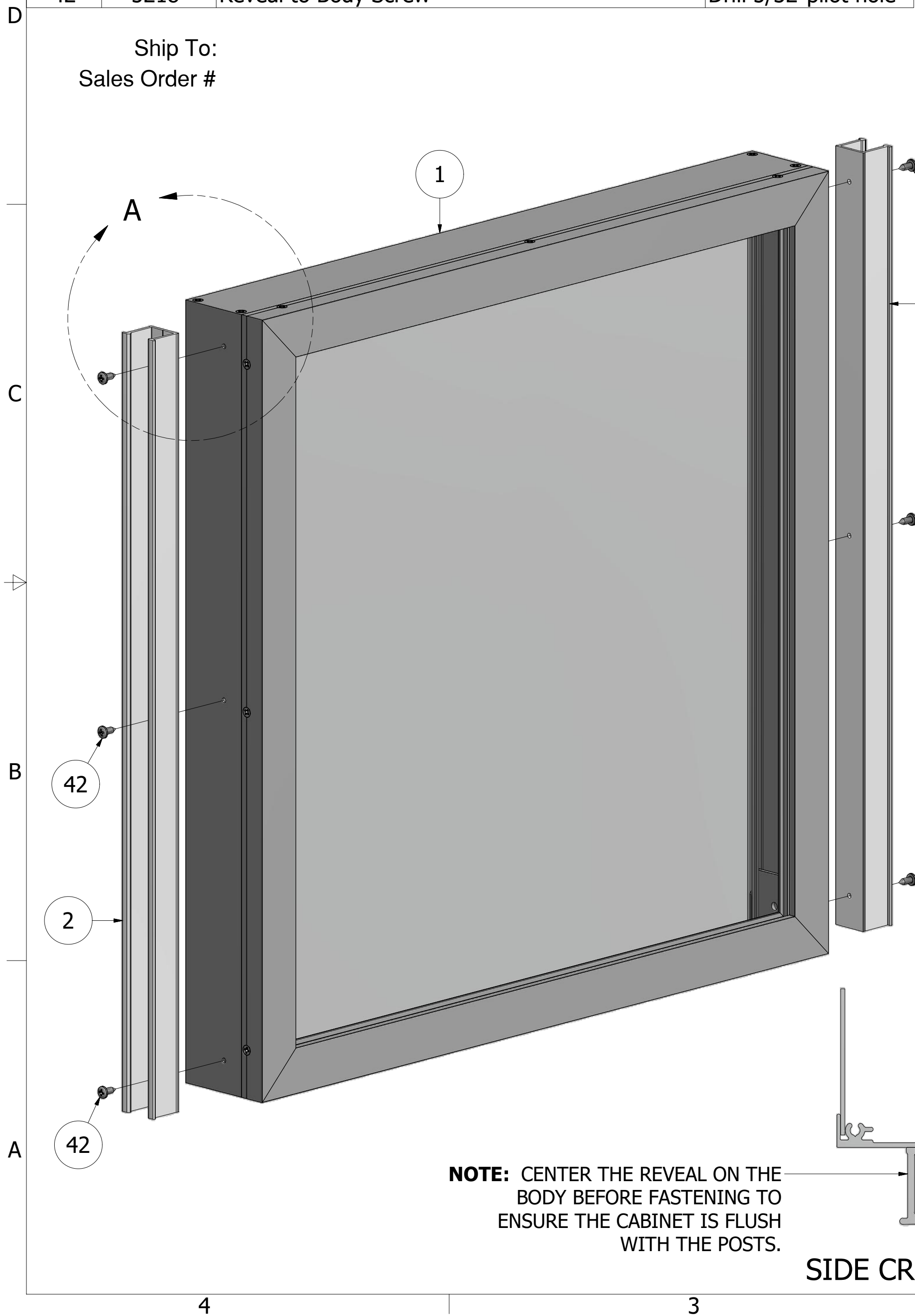
THIS DRAWING WAS CREATED AT NO CHARGE TO ASSIST YOU IN VISUALIZING OUR PROPOSAL. THE DRAWING HEREIN IS THE PROPERTY OF SIGNCOMP. PERMISSION TO COPY OR REVISE THIS DRAWING OR TO USE THIS DRAWING FOR PRODUCTION IS STRICTLY PROHIBITED AND CAN ONLY BE COPIED, REVISED OR USED FOR PRODUCTION WITH THE EXPRESSED WRITTEN PERMISSION OF SIGNCOMP.

DRAWN	SBreihof	9/20/2012	<b>SignComp</b>
Centroid X:	0.000 in		
Centroid Y:	0.000 in		TITLE
Principal Moments Ix:	0.000 in <sup>4</sup>		Series 3 - Single Face Access Body w/ Slide Cover - Assembly
Principal Moments Iy:	0.000 in <sup>4</sup>		DWG NO
Section Modulus Ix:	0.000 in <sup>3</sup>		<b>K1291/94</b>
Section Modulus Iy:	0.000 in <sup>3</sup>		REV
			SHEET 1 OF 1

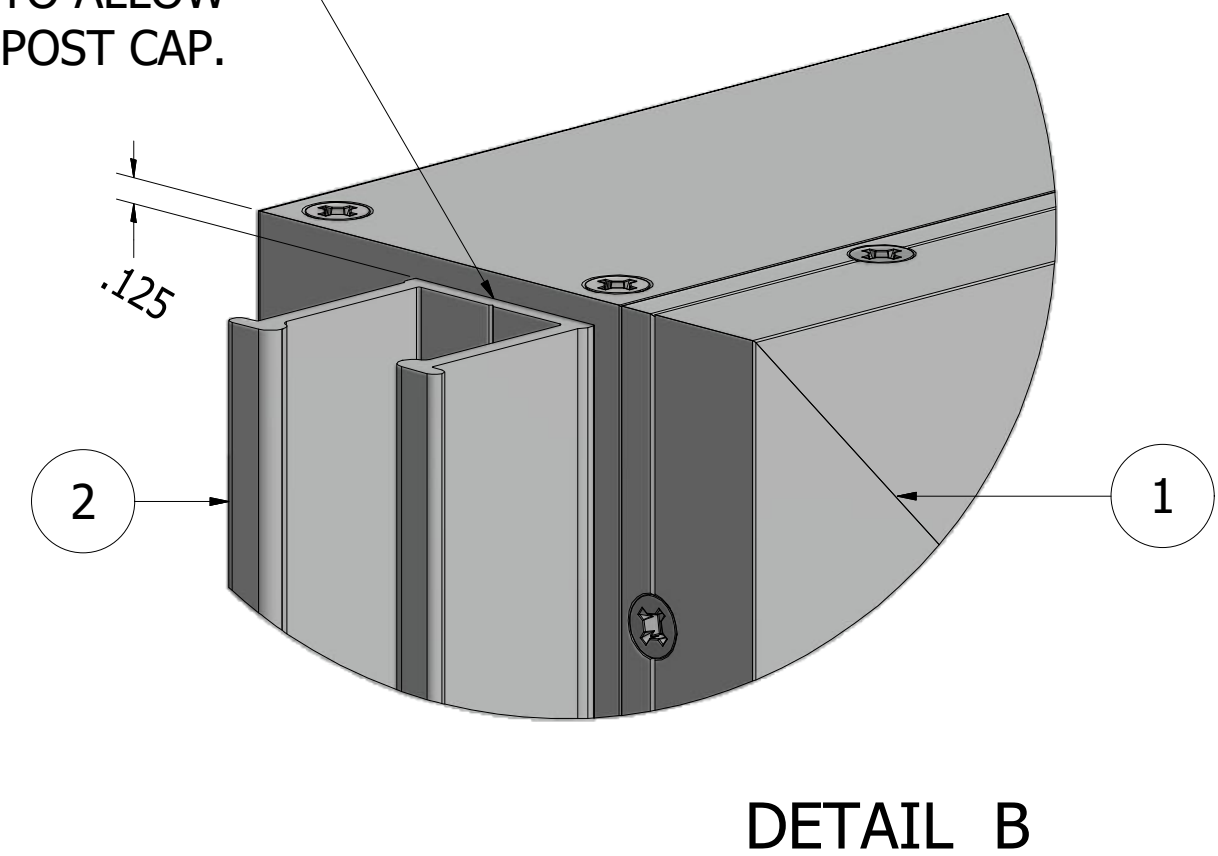


PARTS LIST			
ITEM	PART#	DESCRIPTION	NOTES
1	K1291/94	Series 3 Single Face Access Body w/ Slide Cover	Assembly
2	1200	Series 2/3 Reveal	
42	5218	Reveal to Body Screw	Drill 5/32" pilot hole

Ship To:  
Sales Order #



REVEAL IS FASTENED 1/8" DOWN FROM THE TOP OF THE CABINET TO ALLOW FOR THE POST CAP.



**NOTE: PRE-CUT KITS ARE NOT PRE-DRILLED.**  
(Holes shown in this drawing are for reference only. Drilling of pilot holes are to be done by fabricator.)

THIS DRAWING WAS CREATED AT NO CHARGE TO ASSIST YOU IN VISUALIZING OUR PROPOSAL. THE DRAWING HEREIN IS THE PROPERTY OF SIGNCOMP. PERMISSION TO COPY OR REVISE THIS DRAWING OR TO USE THIS DRAWING FOR PRODUCTION IS STRICTLY PROHIBITED AND CAN ONLY BE COPIED, REVISED OR USED FOR PRODUCTION WITH THE EXPRESSED WRITTEN PERMISSION OF SIGNCOMP.

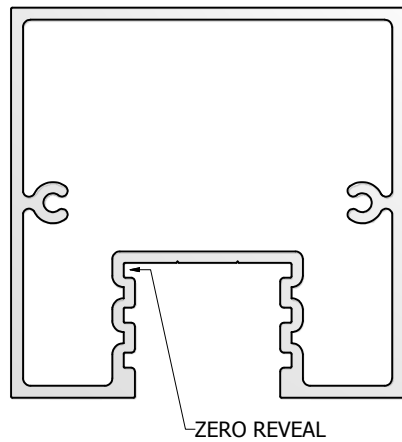
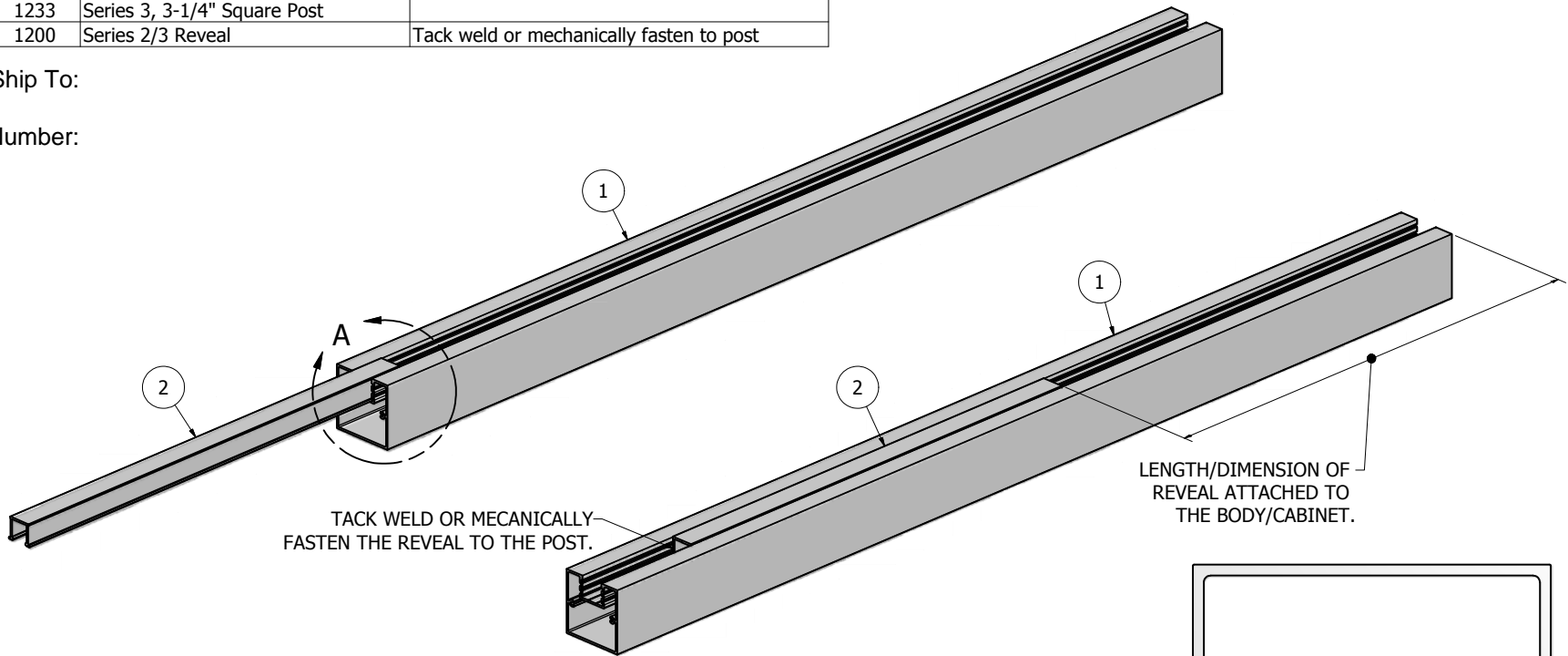
DRAWN	SBreihof	9/20/2012
Centroid X:	0.000 in	
Centroid Y:	0.000 in	
Principal Moments Ix:	0.000 in <sup>4</sup>	
Principal Moments Iy:	0.000 in <sup>4</sup>	
Section Modulus Ix:	0.000 in <sup>3</sup>	
Section Modulus Iy:	0.000 in <sup>3</sup>	

<b>SignComp</b>		
TITLE		
Series 3 Single Face Access Body w/ Slide Cover - Series 2/3 Reveal - Assembly		
DWG NO		REV
<b>K1291/94 - Reveal</b>		
SHEET 1 OF 1		

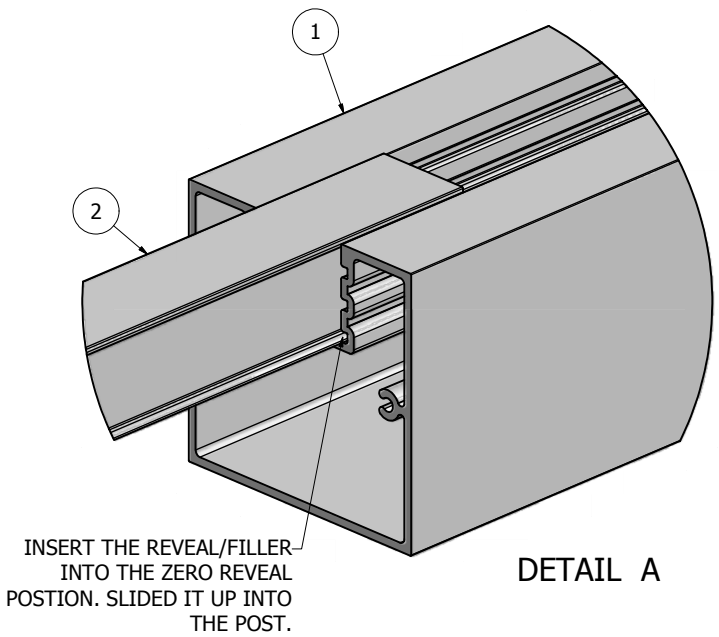
**SIDE CROSS-SECTION**

Parts List			
ITEM	PART #	DESCRIPTION	NOTES
1	1233	Series 3, 3-1/4" Square Post	
2	1200	Series 2/3 Reveal	Tack weld or mechanically fasten to post

Ship To:  
Order Number:



**NOTE: PRE-CUT KITS ARE NOT PRE-DRILLED.**  
(Holes shown in this drawing are for reference only. Drilling of pilot holes are to be done by fabricator.)



THIS DRAWING WAS CREATED AT NO CHARGE TO ASSIST YOU IN VISUALIZING OUR PROPOSAL. THE DRAWING HEREIN IS THE PROPERTY OF SIGNCOMP. PERMISSION TO COPY OR REVISE THIS DRAWING OR TO USE THIS DRAWING FOR PRODUCTION IS STRICTLY PROHIBITED AND CAN ONLY BE COPIED, REVISED OR USED FOR PRODUCTION WITH THE EXPRESSED WRITTEN PERMISSION OF SIGNCOMP.

DRAWN	Steve	4/5/2010	<b>SignComp</b>	
CHECKED				
QA			TITLE	
MFG			Series 3, 3-1/4" Square Post - Series 2/3 Reveal - Assembly	
APPROVED			SIZE	DWG NO
			C	1233-00
			SCALE	SHEET 1 OF 1